

CONXTD - Remote Set / Unset

Wire WebWay output to Intruder Panel key switch to trigger Set/Unset of Intruder Panel.

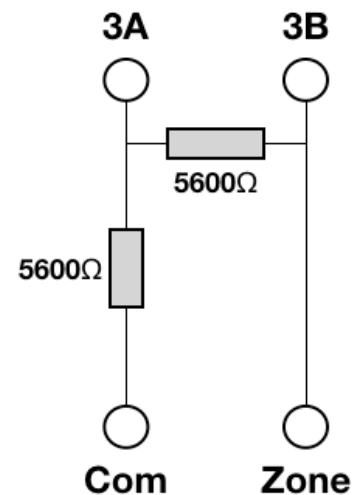
Technical Specifications

| | |
|-----------------------------|---|
| Manufacturer | DSC |
| Model | PC4020 |
| Version | FW 2.0 |
| Minimum SPT software | V2.00 |
| Misc Profile | Pro / Mini: None Nano: Nano - Remote OP/CL |
| Panel Wiring | Closed Circuit Loop (CCL) or Dual End of Line |
| Technical Notes | Panel must be connected to SPT serially and be signalling either SIA format or Hardwire Pins for alarm reporting. |

Cable Connection and Resistor Values

| Pro/Mini WebWay | Panel |
|-----------------|------------|
| 3A | Zone Alarm |
| 3B | Zone Alarm |

| Nano WebWay | Panel |
|-------------|------------|
| 1a | Zone Alarm |
| 1b | Zone Alarm |



Panel Programming via Keypad

1. Unset Panel
2. Enter Engineer Mode
3. Select **System Area** (Option 2)
 1. Select **Zone Supervision** (Option 4)
 2. Set **Single End Of Line**
4. # back to System Area, select **Partition Area** (Option 1)
 1. **Add/Edit Partition 1**
 2. Key to **Zone Assignment** (Option 1)
 3. Key to **Edit Zone** (Option 1)
 4. Key to **Zone Type** (Option 1)
 5. Select **Maintained Arm** (Option 27)
5. # back to System Area, select System Times (Option 3)
 1. Select **Postpone Arm** (Option 5)
 2. Enter desired timer (**Maximum 45 seconds for CONXTD functionality**)

CONXTD

Add to new CONXTD site

Select to enable Set/Unset feature when registering a site for CONXTD with the CONXTD Manager in Connections.

Add to existing CONXTD site

Submit a request using the 'Help' feature in

